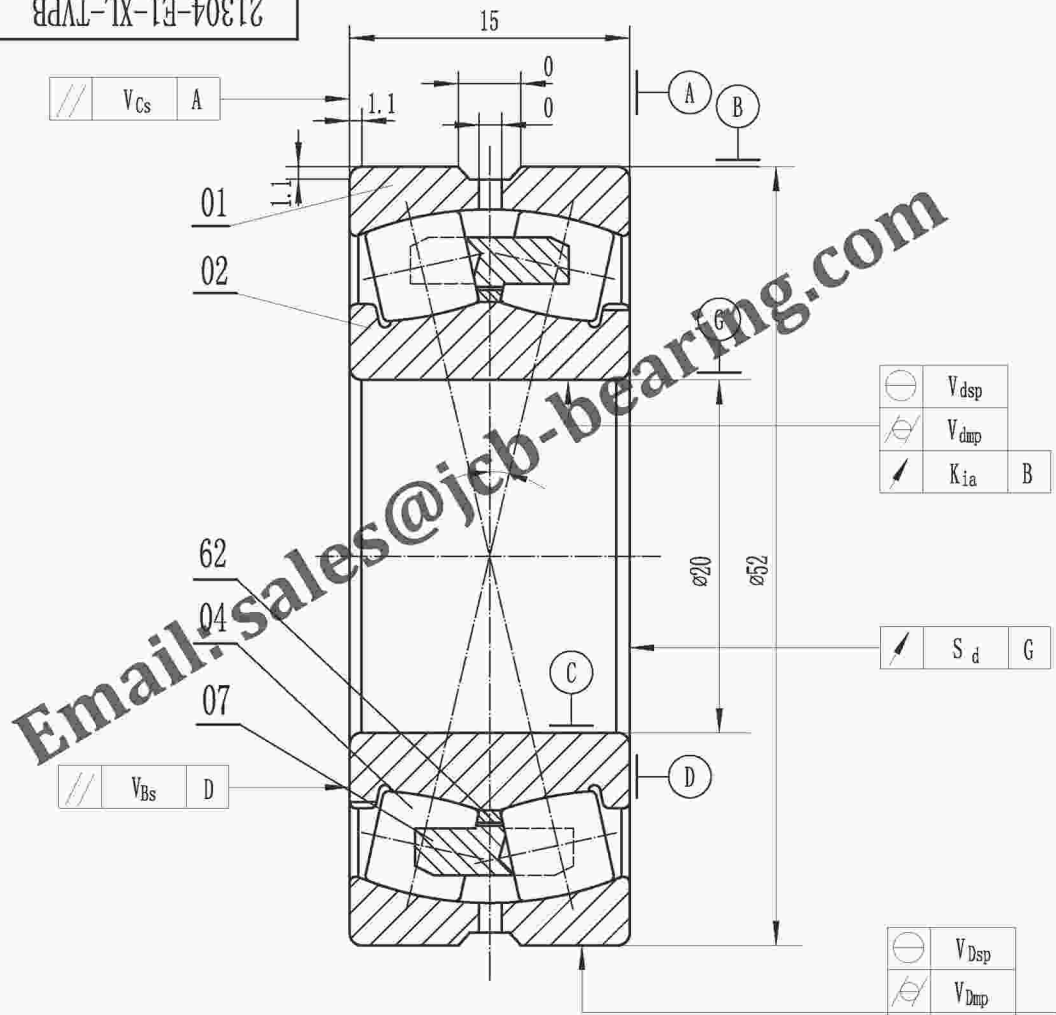


21304-E1-XL-TVPB



- 1, Tolerance of running accuracy are according to relevant state standard;
- 2, The value of the basic group of radial clearance: min 0.020 max 0.035 ;
- 3, Rated load: Cr=41 kN Cor=33 kN.

62	Guide ring	1	Steel 20—GB/T699			
07	Cage	2	Brass CuZn39Pb2-EN 1652:1997			
04	Roller		Steel 100CrMnSi6-4—ISO 683-17:1999			
02	Inner ring	1	Steel 100CrMnSi6-4—ISO 683-17:1999			
01	Outer ring	1	Steel 100CrMnSi6-4—ISO 683-17:1999			

No.	Designation	Qty	Material	unit	total	Remark
				Weight (kg)		

Luoyang JCB Bearing Technology Co., Ltd Contact information Company Address : No. 285, Fenghua road, Luoyang, Henan, China. Postal code : 471000 Phone : 86-379-68611678 Fax : 86-379-68611679 E-mail: sales@jcb-bearing.com Reserved E-mail: sales@sphericalrollerbearing.net Website: www.jcb-bearing.com www.sphericalrollerbearing.net	Spherical Roller Bearing				21304-E1-XL-TVPB	
				Weight (kg)	Scale	
	S			0.16	—	
	Total page 5			Page No. 1		
	Luoyang JCB Bearing Technology Co., Ltd					